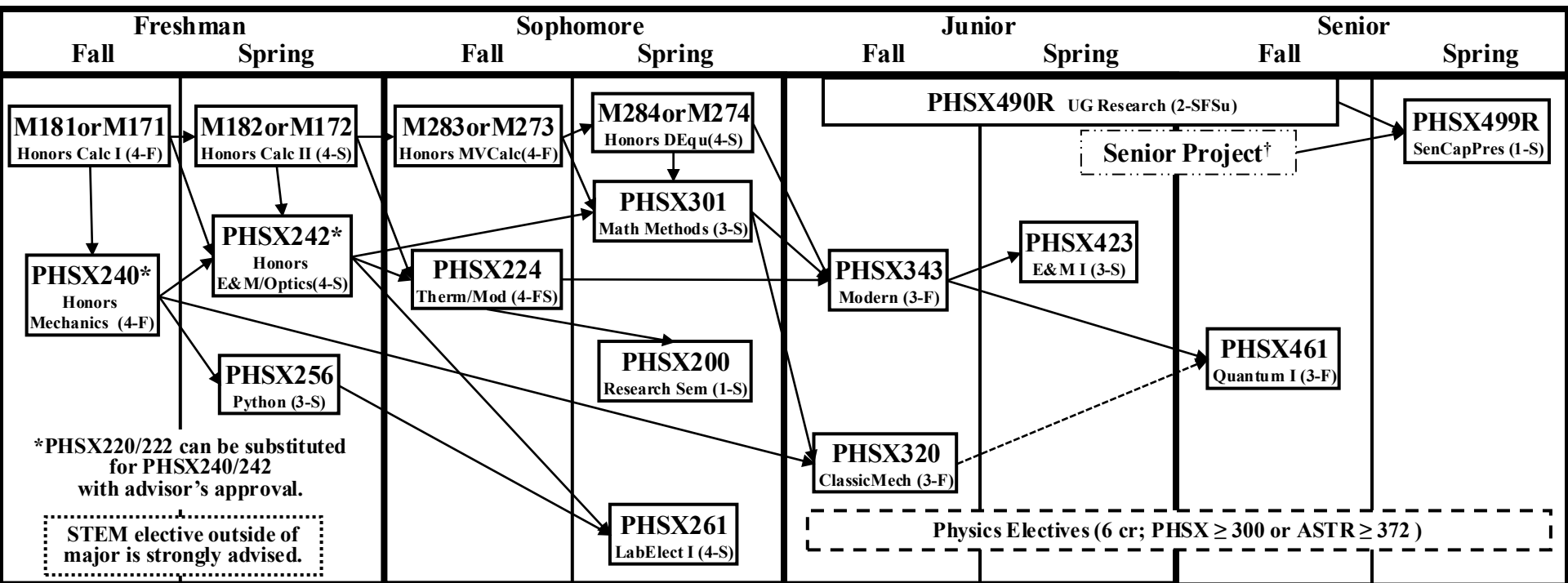


Physics: Interdisciplinary Option (2026-2027)



Courses for chosen minor (15 to 30 credits, depending upon specific minor and overlap of physics requirements)

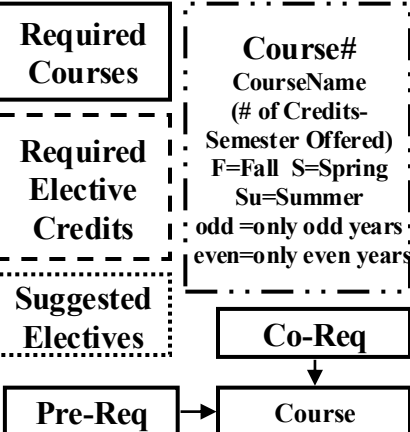
Suggested Physics Electives: Verify in current catalog and closely check pre-reqs.

| Fall | Fall & Spring | Spring |
|---|--|--|
| <ul style="list-style-type: none"> ASTR372 Galactic Astro (3-F-even) PHSX305RN Holography (3-F) PHSX331 Comp Phys (3-F) PHSX 425 E&M II (3-F) PHSX441 Solid State (3-F-even) | <ul style="list-style-type: none"> PHSX 444 Adv Phys Lab (4-FS) PHSX491 (On demand) PHSX492 (On demand, SFSu) PHSX494-Sem (1 FS) - Not P/F | <ul style="list-style-type: none"> ASTR373 Ex-Gal Astro (3-S-even) PHSX 425 E&M II (3-F) PHSX427 Adv Optics (3-S-even) PHSX437 Laser Appl (3-S-odd) PHSX 446 Thermo/Stat (3-S) PHSX451 Elem Particles (3-S-odd) PHSX 462 Quantum II (3-S) ASTR476 Astrophysics (3-S-odd) |

Note: M221 and STAT332 are strongly recommended, depending upon choice of minor.

Note: Physics-elective credits for PHSX49X are capped. See catalog.

See catalog for pre-requisites for elective courses.



† Senior Project must be completed before taking PHSX499R, and may comprise PHSX492 or the required 2 credits of PHSX490R. See catalog for details.

A minimum of 120 total credits is required for graduation; 42 credits must be numbered ≥300.

C- or better is required for all required courses. D-, D, D+, and P credits only count towards the overall 120 credit requirement.