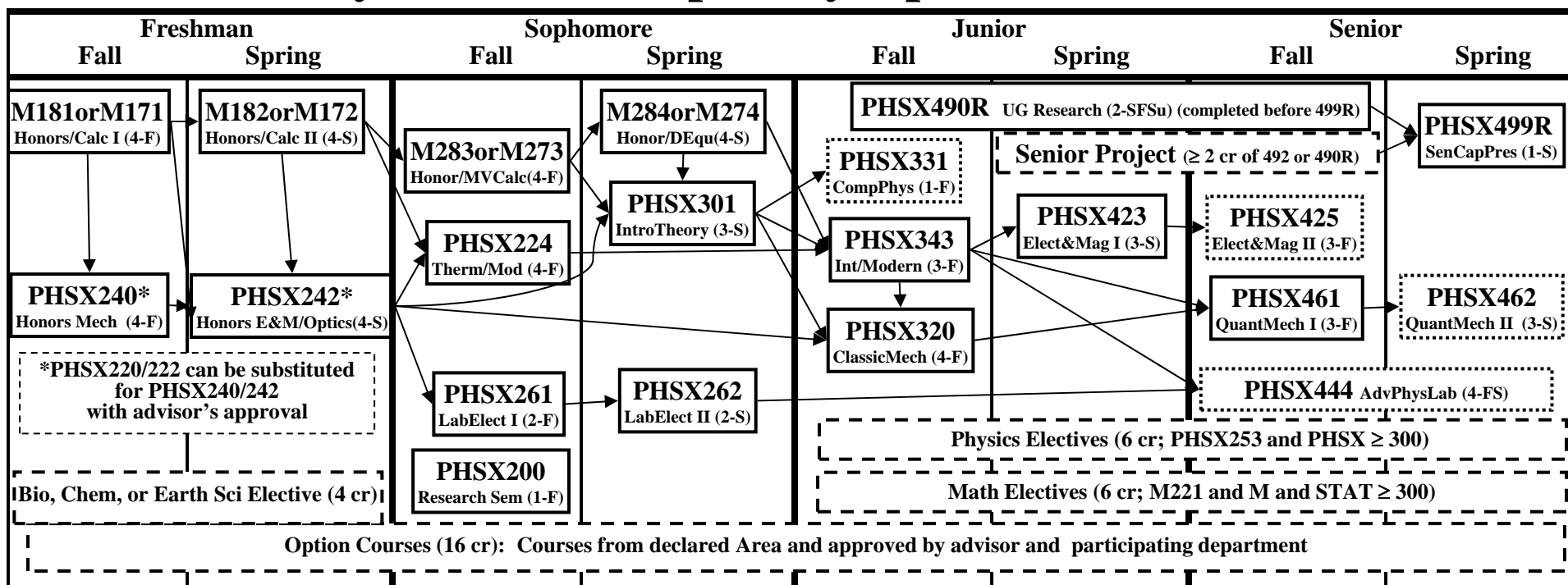


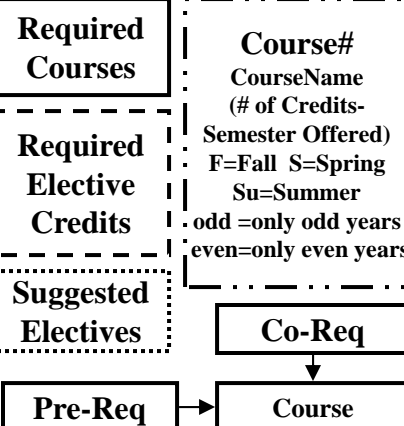
Physics Interdisciplinary Option (2012-2014)



Physics and Math Electives: Suggested electives. See catalog for other electives

Math Electives (221 and ≥ 300)		Physics Electives (PHSX 253 and ≥ 300)	
Fall and Spring	Spring	Fall	Spring
M221 IntrLinAlg(3-FSSu)	M329 Matrix (3-S)	PHSX253 Photography (2-F)	ASTR373 StarsGalUniv (4-S-odd)
M333 LinAlg (3-F)	M349 Tech/AppI II (3-S)	ASTR371 SolarAstro (4-F)	PHSX305RN Holography (3-S)
M348 TechAppI I (3-F)	M382 AdvCalc II (3-S)	PHSX441 SolidState (3-F-odd)	PHSX427 AdvOptics (3-S-even)
M381 AdvCalc I (3-F)	M386R SoftAppI (3-S)		PHSX437 LaserAppI (3-S-odd)
M450 AppIMI(3-F-odd)	M430 MathBio(3-S)		PHSX435 AstroPhysics (3-S-even)
M454 DynSysI(3-F-even)	M431 AbsAlg (3-S)	PHSX492 Ind. Study (On demand, SFSu)	PHSX442 NovelMaterials (3-S-even)
	M472 Complex(3-S-even)	PHSX494 Seminars (1-FS) Not P/F	PHSX451 ElemPart (3-S-odd)
See catalog for STAT courses ≥ 300			

See catalog for pre-requisites for elective courses.



Senior Project credits also count for PHSX490R or Physics elective requirements.

Note: Phxs320 has the option of PHSX301 or M348 as a pre-req. 2 credits of Phxs490R must be completed before taking PHSX499R.

A minimum of 120 total credits is required for graduation; 42 credits must be numbered ≥300.

C- or better is required for all required courses. D-, D, D+, and P credits only count towards electives and 120 total credits.